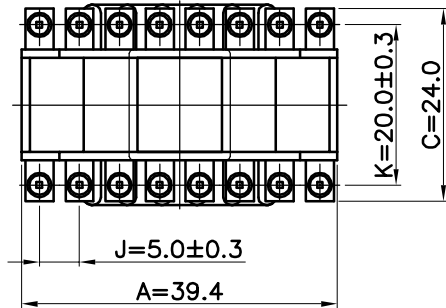
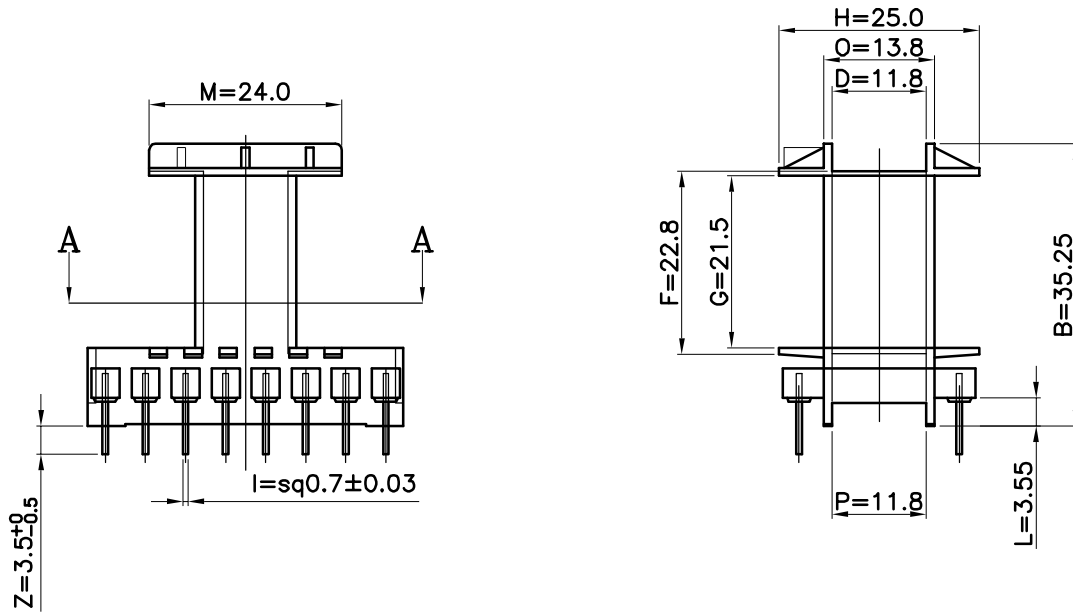


A-A SECTION



(PIN EXTRACTION FORCE : 25N)

④							
③							
②							
①							
MARK	REVISION NOTE			DATE	DRAWN	CHECKED	APPROVED
DRAWN	CHECKED	APPROVED	MATERIAL : NYLON/P.E.T	UL REC. : UL94V-0	THIRD ANGLE PROJ.	SCALE : 1/1	
Dea Hun, Kim	Hyoung Seok, Lee	Chul, Park	Z : PIN LENGTH (According to customer's request)	DATE : 2007.12.06	TOLERANCE : ±0.2 (Unless otherwise specified)	UNIT : m/m	
주식회사 대흥보빈 DAE HEUNG BOBBIN CO., LTD			TITLE EE 36*36 (16P) "V"		DWG NO DH-071206-2060-15		